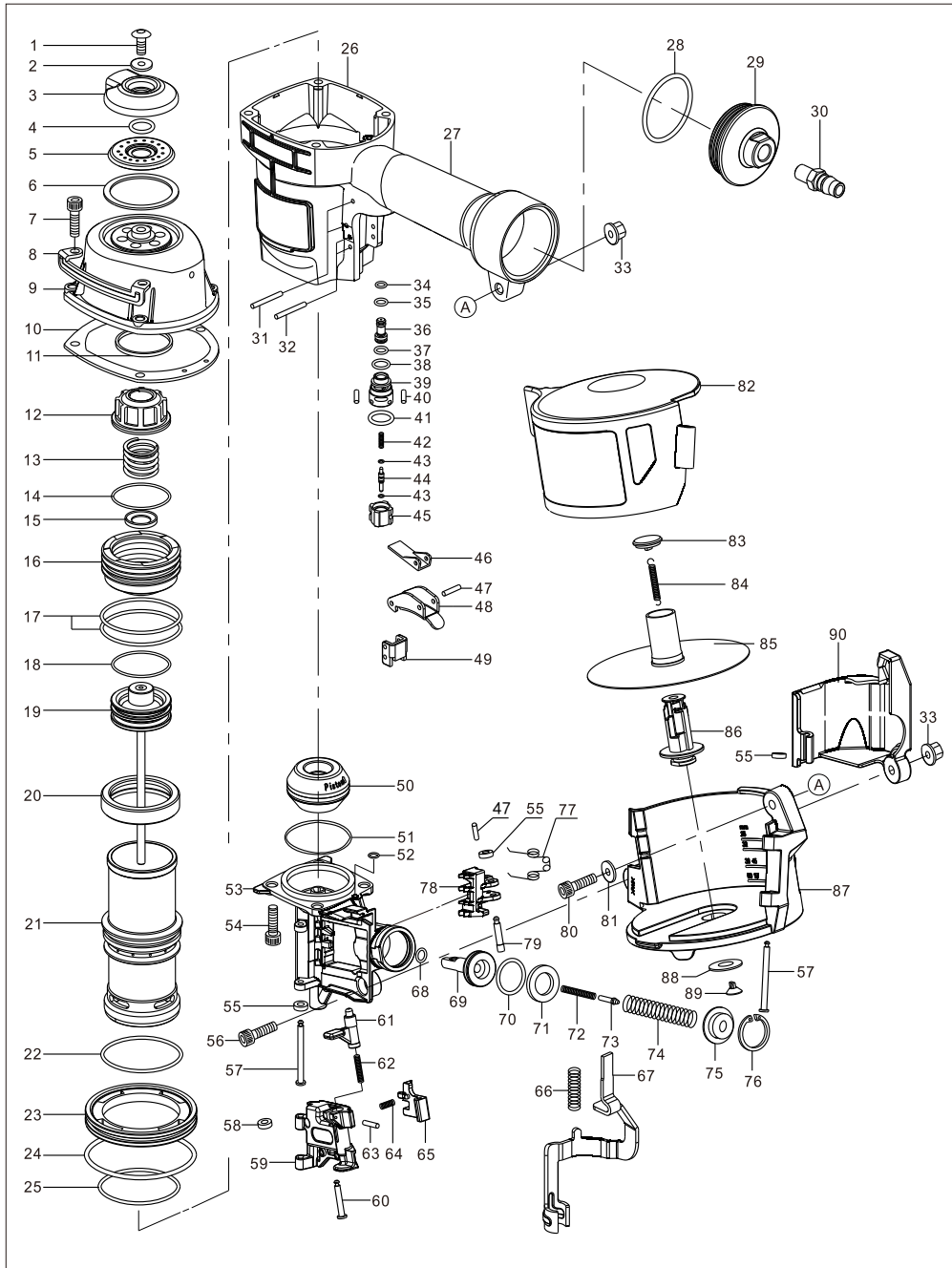


EXPLODED VIEW AND SPARE PARTS LIST



NO.	PART NAME	CODE	NO.	PART NAME	CODE
1	SCREW M8*16		49	CONTACTA ARM GUIDE	
2	PLAIN WASHER		★50	BUMPER	
3	EXHAUST COVER		51	O-RING 53*50*1.5	
4	O-RING 18*13.2*2.4		52	O-RING 7.8*4.2*1.8	
5			53	NOSE	
6			54	SCREW M6*20	
7	SCREW M6*30		55	RUBBER WASHER(B)	
8	PROTECTOR		56	SCREW M6*35	
9	CYLINDER CAP		57	STRAIGHT PIN	
★10	CYLINDER CAP SEAL		58	RUBBER WASHER(A)	
11	SPACER EXHAUST		59	DOOR	
★12	PISTON STOP		60	STEP PIN	
★13	COMPRESSION SPRING		61	DOOR LATCH	
14	O-RING 46.7*41.5*2.6		62	COMPRESSION SPRING	
15	HEAD VALVE WASHER		63	ROLL PIN 3*12	
★16	HEAD VALVE PISTON		64	COMPRESSION SPRING	
★17	O-RING 57.31*52.07*2.62		65	CHECK PAWL	
★18	O-RING 44.7*37.7*3.5		66	COMPRESSION SPRING	
★19	MAIN PISTON UNIT		★67	CONTACT ARM	
20	CYLINDER SEAL		68	O-RING 14.6*9.8*2.4	
21	CYLINDER		69	FEED PISTON	
22	O-RING 56.4*51.4*2.5		★70	O-RING 25.6*20.8*2.4	
23	CYLINDER RING		71	FEED PISTON STOP	
24	O-RING 80*73*3.5		72	COMPRESSION SPRING	
25	O-RING 55*45*5		73	STEP PIN	
26	FRAME		74	COMPRESSION SPRING	
27	GRIP		75	SPRIG COLLAR	
28	O-RING 56.4*51.4*2.5		76	RETA INING RING C26	
29	END CAP		★77	TORSION SPRING	
30	AIR PLUG PMK-22		78	FEED PAWL	
31	POLL PIN 3*30		79	STEP PIN	
32	POLL PIN 3*28		80	SCREW M6*40	
33	ELASTIC STOP NUT M6		81	PLAIN WASHER 138	
34	O-RING 9.5*5.7*1.9		82	MAGAZING COVER	
35	O-RING 10*6.2*1.9		83	SPRING HOLDER	
36	PILOT VALVE		84	TENSION SPRING	
37	O-RING 12.3*8.5*1.9		85	NAIL SUPPORT	
38	O-RING 18*14*2		86	MAGAZING POST	
39	TRIGGER VALVE HOUSING		87	MAGAZING	
40	STRAIGHT PIN 2.5*1.6		88	POST RETAINER	
41	O-RING 24*20*2		89	RECEIVER SPRING	
42	COMPRESSION SPRING		90	CONTACT ARM COVER	
43	O-RING 5.3*2.5*1.4		★101	TRIGGER KIT	34-45#
44	TRIGGER VALVE STEM		102	PRIMARY TRIGGER KIT	46-48#
45	TRIGGER VALVE CAP		113	VALVE KIT	14-17#
46	CONTACT LEVER		114	MAIN PISTON UNIT	18-19#
47	ROLL PIN 3*16		115	NOSE ASSEMBLY	51-79#
48	TRIGGER		116	MAGAZINE ASSEMBLY	82-89#

Note: ★-eay worn parts

▲WARNING



TO AVOID SEVERE PERSONAL INJURY OR PROPERTY DAMAGE BEFORE USING THE TOOL, READ CAREFULLY AND UNDERSTAND THE FOLLOWING "SAFETY INSTRUCTIONS". FAILURE TO FOLLOW WARNINGS COULD RESULT IN DEATH OR SERIOUS INJURY.

PRECAUTIONS ON USING THE TOOL

1. WEAR SAFETY GLASSES OR GOGGLES

Danger to the eyes always exists due to the possibility of dust being blown up by the exhausted air or of a fastener flying up due to the improper handling of the tool. For these reasons, safety glasses or goggles shall always be worn when operating the tool.

2. DO NOT USE ANY POWER SOURCE EXCEPT AN AIR COMPRESSOR

The tool is designed to operate on compressed air. Do not operate the tool on any other high pressure gas, combustible gases (e.g., oxygen, acetylene, etc.) since there is the danger of an explosion. For this reason, absolutely do not use anything other than an air compressor to operate the tool.

3. OPERATE WITHIN THE PROPER AIR PRESSURE RANGE

The tool is designed to operate within an air pressure range of 70 to 100 psi. (5 to 7 bar.) The pressure should be adjusted to the type of the work being fastened. The tool shall never be connected to air pressure which potentially exceeds 200 psi. (14 bar) as the tool can burst.

4. DO NOT OPERATE THE TOOL NEAR A FLAMMABLE SUBSTANCE

from these substances could be drawn into the compressor and compressed together with the air and this could result in an explosion.

5. DISCONNECT THE AIR SUPPLY AND EMPTY THE MAGAZINE WHEN THE TOOL IS NOT IN USE

Always disconnect the air supply from the tool and empty the magazine when operation has been completed or suspended, when unattended, moving to a different work area, adjusting, disassembling, or repairing the tool, and when clearing a jammed fastener

6. NEVER POINT THE DISCHARGE OUTLET TOWARD YOURSELF AND OTHER PERSONNEL

Be sure the discharge outlet is not pointed toward people when connecting and disconnecting the hose, loading and unloading the fasteners or similar operation

7. KEEP HANDS AND BODY AWAY FROM THE DISCHARGE OUTLET

When loading and using the tool, never place a hand or any part of body in fastener discharge area of the tool. It is very dangerous to hit the hands or body by mistake.

8. NEVER USE THE TOOL IF AN YPORTION OF THE TOOL CONTROLS (e.g., TRIGGER, CONTACT ARM) IS IN OPERABLE, DISCONNECTED, ALTERED OR NOT WOKING PROPERLY

9. NEVER LOAD THE TOOL WITH FASTENERS WHEN ANY ONE OF THE OPERATING CONTROLS (e.g., TRIGGER, CONTACT ARM) IS ACTIVATED

10. Do not use the tool as a hammer.

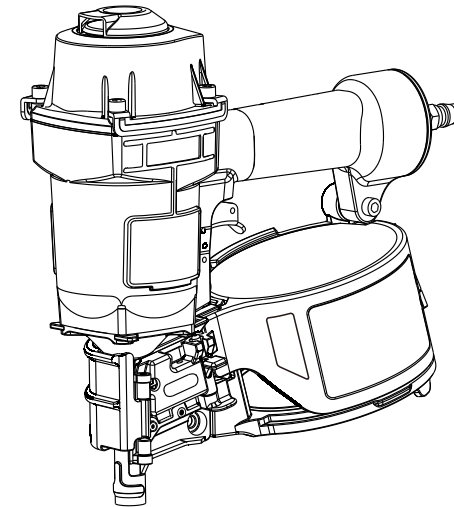
11. Always carry the tool by the handle, never carry the tool by the air hose.

12. The tool must be used only for the purpose it was designed

13. Keep the tool in a dry place out of reach of children when not in use.

CN55

PNEUMATIC COIL NAILER



▲WARNING

BEFORE USING THIS TOOL , STUDY THIS MANUAL TO ENSURE SAFETY WARNING AND INSTRUCTIONS. KEEP THESE INSTRUCTIONS WITH THE TOOL FOR FUTURE REFERENCE.